



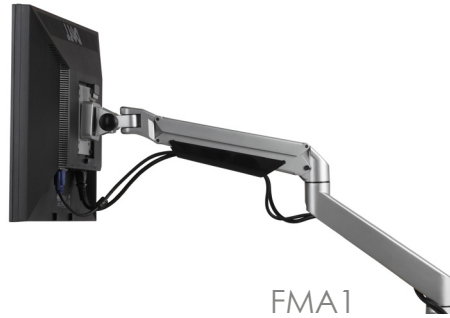
FULL MOTION DESK MONITOR ARMS



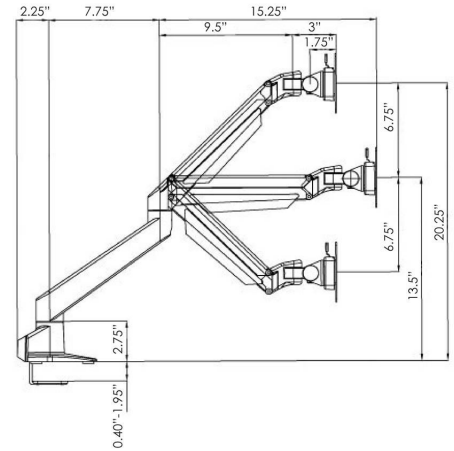
TECHNICAL DATA

Single Arm FMA1

LCD Sizes:	≤ 30"
Wt capacity:	5-22 lbs
Swivel/Pivot/Tilt:	90°, 90°, 75°-45°
Packaging:	19"x8"x5.5"/pcs
Color:	Silver or white



FMA1

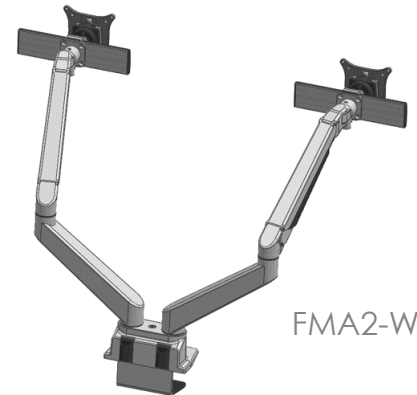


Dual Arm FMA2

LCD Sizes:	≤ 30"
Wt capacity:	5-22 lbs
Swivel/Pivot/Tilt:	90°, 90°, 75°-45°
Packaging:	29"x9"x6.5"/pcs
Color:	Silver or white



FMA2



FMA2-WS

Dual Arm w/ Slider FMA2-WS

LCD Sizes:	≤ 30"
Wt capacity:	5-22 lbs
Slide Movement:	7.5" horizontal movement
Packaging:	29"x9"x6.5"/pcs
Color:	Silver or white

